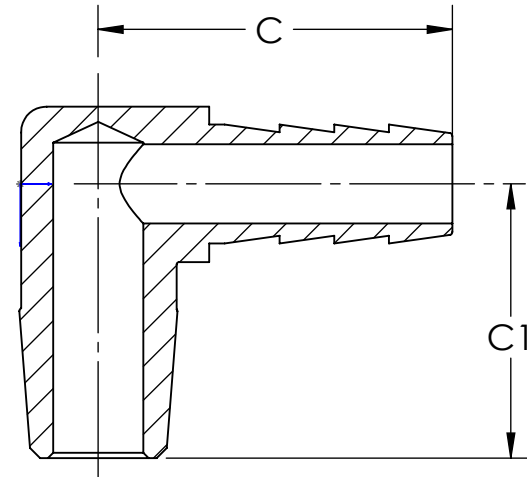
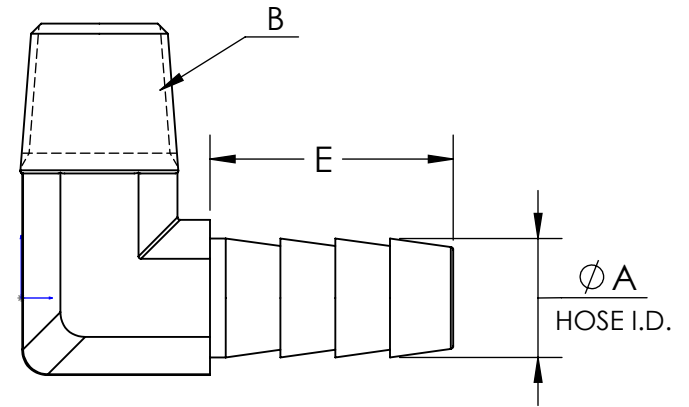


# LINE DRAWING NOT FOR PRODUCTION PURPOSES

PART NUMBER	A HOSE I.D.	B NPTF THREAD	C LENGTH C/L	C1 HEIGHT C/L	E BARB LENGTH
1290302C	3/16	1/8 - 27	1.11	.73	.79
1290402C	1/4	1/8 - 27	1.11	.76	.79
1290404C	1/4	1/4 - 18	1.22	.94	.79
1290406C	1/4	3/8 - 18	1.22	.95	.79
1290502C	5/16	1/8 - 27	1.11	.73	.79
1290504C	5/16	1/4 - 18	1.22	.97	.79
1290506C	5/16	3/8 - 18	1.23	.91	.79
1290602C	3/8	1/8 - 27	1.14	.74	.77
1290604C	3/8	1/4 - 18	1.23	.95	.87
1290606C	3/8	3/8 - 18	1.28	.95	.87
1290608C	3/8	1/2 - 14	1.37	1.10	.87
1290804C	1/2	1/4 - 18	1.30	.97	.87
1290806C	1/2	3/8 - 18	1.33	.97	.87
1290808C	1/2	1/2 - 14	1.41	1.10	.87
1291006C	5/8	3/8 - 18	1.36	1.22	.87
1291008C	5/8	1/2 - 14	1.46	1.16	.87
1291208C	3/4	1/2 - 14	1.54	1.24	.87
1291212C	3/4	3/4 - 14	1.55	1.31	.87
1291612C	1	3/4 - 14	1.71	1.45	.98
1291616C	1	1-11-1/2++	1.80	1.63	.98



++ CAPPED

MATERIAL: FORGED C3604 BRASS ALLOY



**Dixon Brass**  
Westmont, Illinois USA

DRAWN P. MONAGHAN	DATE 6/24/20
APPROVED	DATE
ECO NO.	

**TITLE:** 90° ELBOW - FORGED  
HOSE BARB TO MALE NPTF

<b>DO NOT SCALE THIS DRAWING</b>		
SIZE <b>A</b>	DWG. NO. 129 SERIES	REV B

This drawing is owned by Dixon Valve & Coupling Co. and shall be returned upon demand. It is loaned on condition that it shall not be copied or reproduced or submitted to others without the owners consent. In accepting it, subject to this condition, the recipient further agrees that this drawing or any design detail or concept disclosed herein shall not be used in any way detrimental to or in competition with the owner. If the recipient does not agree to the terms of this agreement they shall return this drawing immediately. The information contained in this drawing is subject to change without notice.