

# Electrically Actuated 3-Piece Stainless Steel Ball Valves

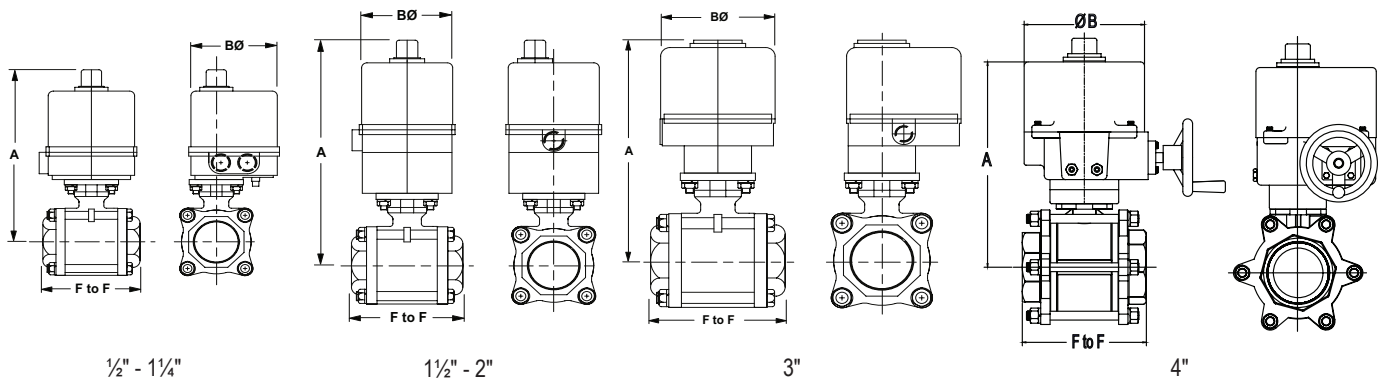
## Features:

### 3-Piece Stainless Steel Ball Valve

- 15% glass reinforced RTFE seats
- blow-out proof stainless steel stem
- live-loaded stem packing
- ISO 5211 mounting pad
- swing out in-line easy maintenance
- pressure rating: ½" - 2" **1000 PSI WOG**  
3" **800 PSI WOG**
- temperature range: ½" to 2": **-40°F to 350°F**,  
3" to 4": **-40°F to 325°F**

### Electric Actuator

- lightweight powder coated aluminum alloy housing
- NEMA 4/4X waterproof and dustproof
- extended duty cycle induction motor
- high alloy steel gear train
- H-insulation class
- visual position indication
- space heater is standard
- manual override standard: ½" - 1½" sizes
- temperature range: **-41°F to 140°F**
- ISO 9001, CS, CE and CSA-C US Certified
- RoHS compliant



Dimensions are approximate.

Engineering dimensions are available upon request. Specifications are subject to change without notice.

Size	Dimensions			Override	316 Stainless Steel Part #	Voltage				
	F to F	A	B			110VAC -EA	24VDC -EG	12VDC -ET	220VAC -EK	24VAC -ES
½"	2.6	7.8	4.5	standard	<b>BV2IG-05011</b>	\$1063.05	\$919.45	\$919.45	\$919.45	\$1026.65
¾"	3.0	8.0	4.5	standard	<b>BV2IG-07511</b>	946.60	946.60	946.60	946.60	1224.65
1"	3.4	8.3	4.5	standard	<b>BV2IG-10011</b>	1174.50	987.65	987.65	987.65	1094.85
1¼"	4.0	8.5	4.5	standard	<b>BV2IG-12511</b>	1282.80	1045.45	1045.45	1045.45	1152.65
1½"	4.7	9.2	4.5	N/A	<b>BV2IG-15011</b>	1413.95	1124.30	1124.30	1124.30	1231.50
2"	5.2	11.4	4.5	N/A	<b>BV2IG-20011</b>	1544.55	1594.75	2043.65	1488.00	1488.00
3"	7.2	12.2	6.1	N/A	<b>BV2IG-30011</b>	2922.80	3851.50	3398.35	2880.30	3501.90
4"	8.9	16.1	7.1	N/A	<b>BV2IG-40011</b>	5160.00	5067.45	5144.80	5067.45	5067.45

A wide variety of options are available: modulating, extra switches, transmitters, potentiometer, etc.  
Contact Dixon™ at 800.789.1718 or visit Dixon™valve.com for details.



### Caution!

Even though there are torque safety factors built into our automated ball valve packages, actual service conditions must also be considered when selecting the proper product for the appropriate application.

For example: Severe service conditions such as dirty water, dirty air, all slurries, raw sewage water, oils, and other viscous fluids can have a dramatic affect in raising the torque requirements of ball valves as much as 75% and therefore larger actuators may be required. Please consult Dixon™ when dealing with these types of applications.

